



**CVP1030SS**


# 30 Inch 900 CFM Pro Undercabinet Range Hood





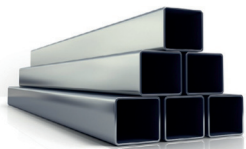
This Caloric Pro Undercabinet Hood is an extra powerful addition to any kitchen. It features a potent 900 CFM motor that creates a powerful and effective suction to remove odors and smoke.

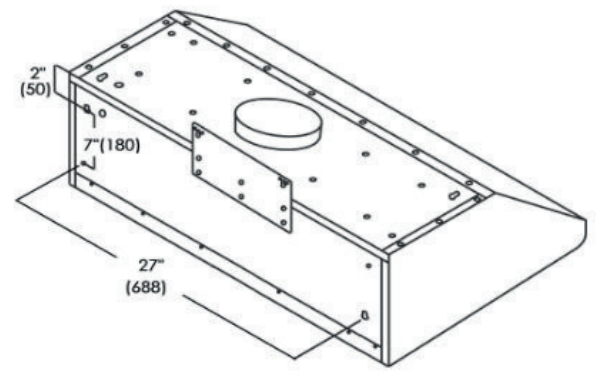
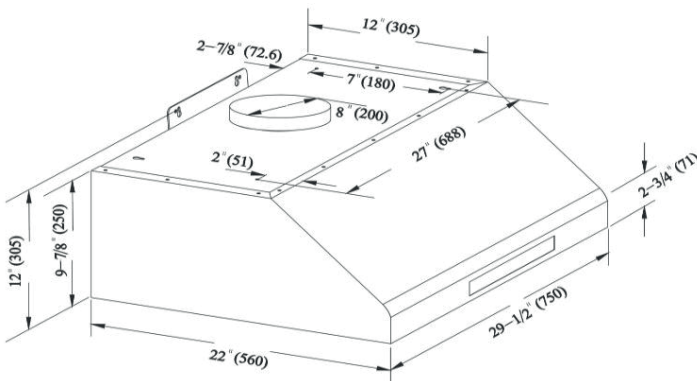
With 4 speed settings to provide flexibility, LED lighting for illuminating your cooking area especially well, and washable stainless-steel baffle filters to help keep your kitchen air clean, this hood operates at a maximum of 7.5 sones making the sound level quite acceptable in your kitchen. It also has an electronic touch control system with remote, and is top vented with either a 8" round exhaustor a 3 1/4 x 12" rectangular exhaust to provide flexible installation in any kitchen.

All of this is backed by a 1-year parts and labour warranty, giving you total peace of mind with a long lasting and reliable ventilation system.



Features	Benefits	
<b>900 CFM Motor With 4 Speed Settings</b>	Creates an efficient suction with 4 speed flexibility to quickly remove smoke and odors given the cooking situation.	
<b>LED Lighting</b>	Powerful, bright, illuminating light to highlight your cooking area in the kitchen	
<b>Stainless Steel Baffle Filters</b>	Easy-to-maintain, durable and washable.	
<b>Electronic Touch Controls with Remote access</b>	Easily and conveniently control and adjust settings from anywhere in the kitchen	
<b>Sound levels: 1.5 Sone (Min) – 7.5 Sones (Max)</b>	Quiet operation won't disturb your home	

Features	Benefits	
<b>110V/60Hz</b>	Compatible with the standard household electrical systems	
<b>Top Venting - 8" Round or 3 1/4" x 12" Rectangular Exhaust</b>	A robust exhaust system designed for power and flexibility. Easily fits in any kitchen design	
<b>1 Year Parts and Labour Warranty</b>	Peace of mind with a reliable guarantee on parts and labour	
<b>Optional Plasma Filtration Kit</b>	Ability to recirculate and clean the air in your kitchen without costly filter replacements	
<b>Premium Stainless Steel - Type 201</b>	Stronger and thicker stainless steel is more corrosion resistant and non magnetic	



Weights & Dimensions Specification	
<b>Width</b>	30"
<b>Depth</b>	22"
<b>Height</b>	9.8"
<b>Weight</b>	55.12 lbs
<b>Carton</b>	33" x 18" x 26"

Brought to you by  
 **JAK** APPLIANCE GROUP  
SPECIALTY IMPORTING | DISTRIBUTION | BRAND DEVELOPMENT

SINCE 1903  
 **Caloric**<sup>™</sup>

**UPC code**  
**628451852247**

**844-455-3474 | [info@caloricappliances.ca](mailto:info@caloricappliances.ca)**

2023 In Canada, Caloric<sup>™</sup> is a registered trademark of J.A.K. North America Inc.  
 Specifications are for planning purposes only and are subject to change, Refer to installation instructions.