



BUILT-IN (POWER PACK) HOOD / HOTTE ENCASTRABLE
MODEL / MODÈLE: CVI28-SS & CVI34-SS
INSTALLATION GUIDE / USE AND CARE MANUAL
INSTRUCTIONS D'INSTALLATION / GUIDE DE L'USAGER

IMPORTANT: Read and save these instructions.

IMPORTANT: Lire et conserver ces instructions.

Installer: Leave this manual with the homeowner.

Homeowner: Keep this guide for future reference.

Installateur : Laissez ce manuel au propriétaire.

Propriétaire : Conservez ce guide pour référence ultérieure.

Table of Contents

IMPORTANT SAFETY PRECAUTIONS..... 3-4

INSTALLATION INSTRUCTIONS5-10

OPERATING THE HOOD11

MAINTENANCE13

WARRANTY 15

APPROVED FOR RESIDENTIAL USE ONLY.

READ AND SAVE THESE INSTRUCTIONS.

**PLEASE READ THE ENTIRE INSTRUCTIONS BEFORE YOU BEGIN.
INSTALLATION OF THE UNIT MUST RESPECT ALL BUILDING CODES.**

IMPORTANT: Keep these instructions in order to provide them to the electrical inspector in your area.

INSTALLER: Please leave these instructions with the owner of the unit.

OWNER: Keep these instructions for future reference.

SECURITY WARNING: Turn off the power circuit in the electrical panel and lock the front panel before connecting the wires of this unit.

Requirements: 120V c.a., 60Hz branch circuit of 15V c.a., 20Hz, of 15 or 20A.

IMPORTANT SAFETY PRECAUTIONS

READ AND SAVE THESE INSTRUCTIONS

CAUTION:

For residential use only. Do not use to exhaust hazardous or explosive materials and/or vapors.

CAUTION:

Range hood may have very sharp edges. Please wear protective gloves when installing, cleaning or servicing the unit.

This appliance must be installed by a qualified technician. The manufacturer declines all responsibility in case of failure to adhere to safety standards. Install this hood in accordance with all the specified requirements.

WARNING

To reduce the risk of fire, electric shock or injury to persons, observe the following:

- Use this unit only in the manner intended by the manufacturer. If you have any questions, contact the manufacturer.
- Before servicing or cleaning the unit, switch power off at the service panel and lock the service disconnecting means to prevent power from being switched on accidentally. If the service disconnecting means cannot be locked, securely fasten a noticeable warning device, such as a tag, to the service panel.
- Installation work and electrical wiring must be done by a qualified person in accordance with all applicable codes & standards, including fire-rated construction.
- Sufficient air is needed for proper combustion and exhausting of gases through the chimney (chimney) of fuel burning equipment to prevent back-drafting.
- Follow the heating equipment manufacturer's guideline and safety standards such as those published by the *National Fire Protection Association (NFPA)* and the local code authorities.
- When cutting or drilling into wall or ceiling, do not damage electrical wiring and other hidden utilities.
- Ducted fans must always be vented to the outdoors.
- Do not make alterations to the original wiring.
- Do not attempt to repair or replace any part of your hood unless it is specifically recommended in this manual.
- All other servicing should be referred to a qualified technician.

CAUTION:

To reduce risk of fire and to properly exhaust air, be sure to duct air outside - do not vent exhaust air into spaces within walls, ceilings, attics, crawl spaces, or garages.

Automatically operated device - to reduce risk of injury disconnect from power supply before servicing.

WARNING

TO REDUCE THE RISK OF FIRE, USE ONLY METAL DUCTWORK.

WARNING: TO REDUCE THE RISK OF A RANGE TOP GREASE FIRE

- Never leave a range unattended.
- Boil overs cause smoking and greasy spillovers that may ignite. Heat oils slowly on low or medium setting.
- Always turn hood ON when cooking at high heat or when flambéing food (i.e. Crepes Suzette, Cherries Jubilee, Flambés, etc....).
- Clean the unit's surfaces frequently including the fan wheels. Grease can accumulate on fan or filters.
- Use proper pan size. Always use cookware appropriate for the size of the surface element.

WARNING: TO REDUCE THE RISK OF INJURY TO PERSONS, IN THE EVENT OF A COOKTOP

GREASE FIRE, OBSERVE THE FOLLOWING:

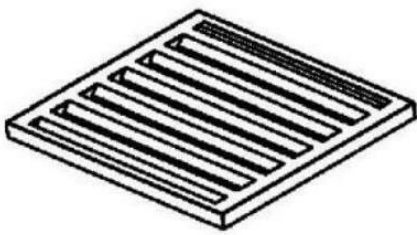
- Smother flames with a close-fitting lid, cookie sheet, or metal tray, and then turn off the burner.
- If the flames do not go out immediately, **EVACUATE AND CALL THE FIRE DEPARTMENT.**
- Never pick up a flaming pan - you may **BURN YOURSELF.**
- **DO NOT USE WATER**, including wet dishcloths or towels - a violent steam explosion will result.
- Use an extinguisher **ONLY** if:
 - a) You know you have a class ABC extinguisher, and you already know how to operate it.
 - b) The fire is small and contained in the area where it started.
 - c) The fire department has been called.
 - d) You can fight the fire with your back to an exit.

INSTALLATION INSTRUCTIONS

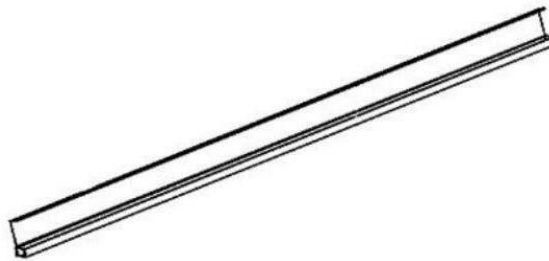
TOOLS NEEDED TO INSTALL THE RANGE HOOD

- Safety gloves and goggles
- Electrical drill
- Phillips screwdriver
- Flathead screwdriver
- Hammer
- Adjustable wrench
- Sheet metal sheers
- Needle nose pliers
- Scissors (to cut duct tape)
- Duct tape
- Marker or pencil
- Level
- Measuring tape

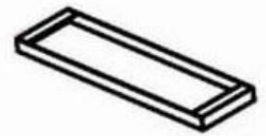
PARTS INCLUDED



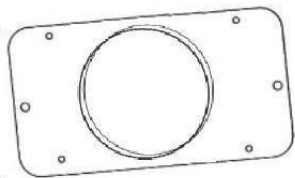
Filters



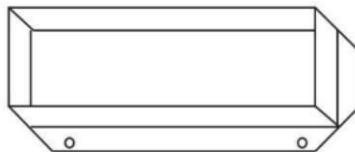
Grease tunnel



Filter spacer



6" adapter for vertical evacuation

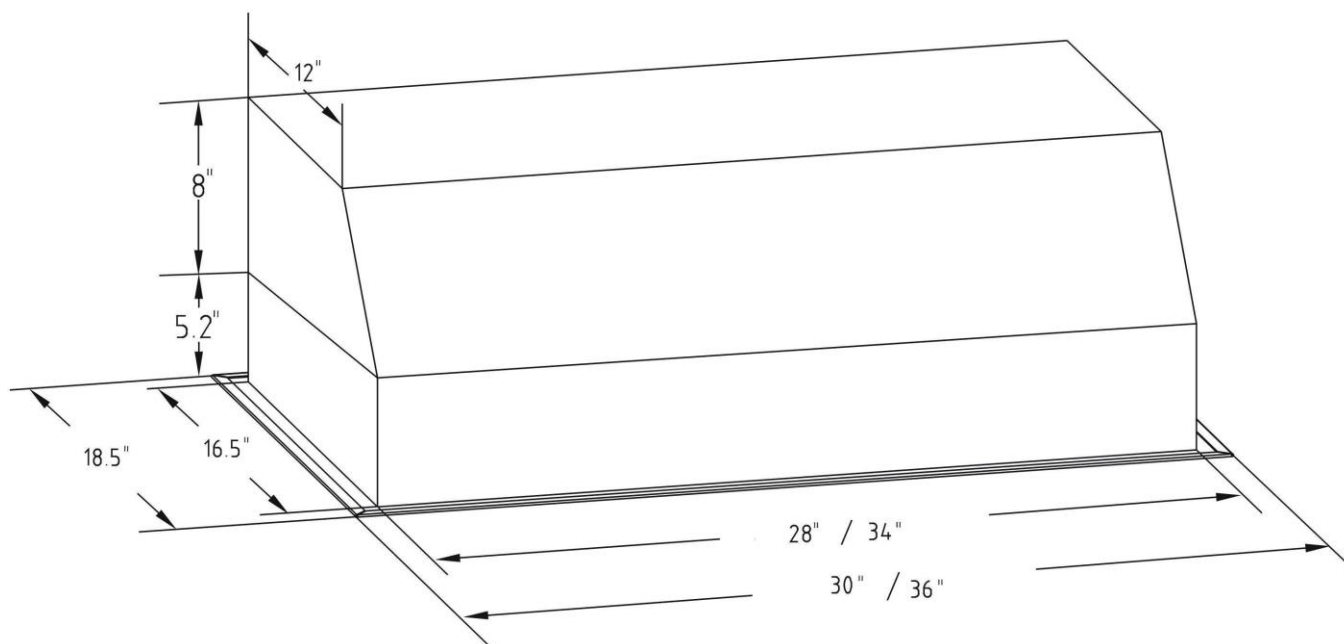


3.25" x 10" Adapter for horizontal evacuation



Qty: 10 pcs

DIMENSIONS OF HOOD



INSTALLATION

The information contained herein is based on sources that we believe to be reliable, but is not guaranteed by us, may be incomplete and/or may change without notice.

BEFORE INSTALLING THE HOOD

- For the most efficient airflow exhaust use a straight run or as few elbows as possible.
- Vent unit to the outside only.
- At least two people are required for installation.
- Remove the range hood from the carton packaging and place on a flat surface for assembly.

CAUTION:

THIS APPLIANCE SHOULD BE PROPERLY GROUNDED.

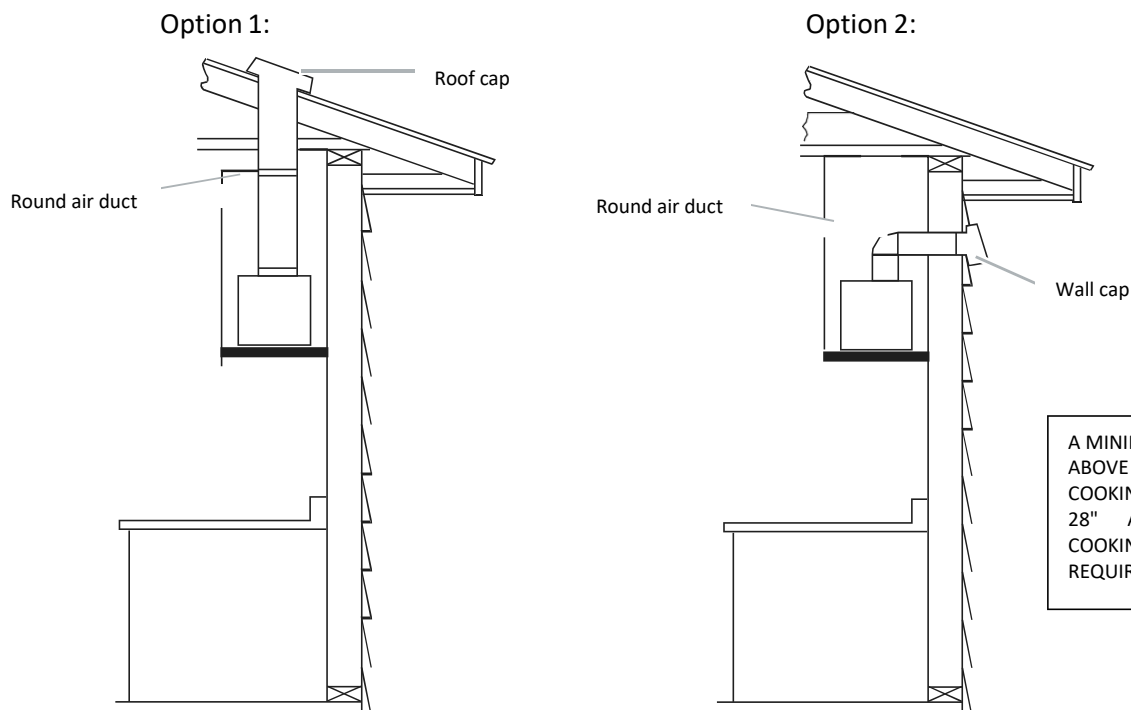
- This hood must be power supplied 120 V, 60 Hz, and connected to an individual, properly grounded circuit (3-prong outlet).
- If the electrical supply does not meet above requirements, call a licensed electrician before proceeding.
- Route house wiring as close as possible to the installation location, in the ceiling or back wall.
- The hood must be connected to the house wiring in accordance with the local codes and norms.

WALL FRAMING FOR ADEQUATE SUPPORT

THIS VENT HOOD IS HEAVY. ADEQUATE STRUCTURE AND SUPPORT MUST BE PROVIDED IN ALL TYPES OF INSTALLATIONS. THE HOOD MUST BE SECURED TO A HORIZONTAL SUPPORT.

PREPARING THE INSTALLATION

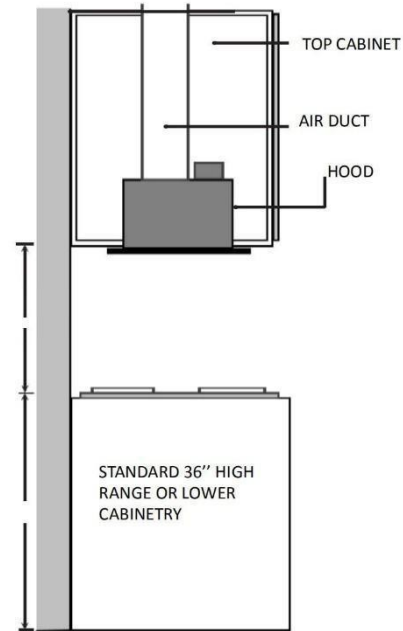
- The exhaust air must not be discharged into a chimney which is used for exhausting fumes from other appliances burning gas or other fuels.
- Determine the exact location of the vent hood. Mark the location. Find the centerline of the cooktop.
- Plan the route for venting exhaust to the outdoors. Use the shortest and straightest duct route possible. Long duct runs, elbows and transitions will reduce the performance of the hood. Use as few of them as possible. Larger ducting may be required for longer **duct runs**.
- Install a wall cap with damper or roof cap at the exterior opening. Join the wall or roof cap to the ductwork.
- Connect round metal ductwork to cap and work back towards the hood location. Use 2" metal foil duct tape to seal **the joints**.



INSTALLATION DRAWINGS

- The minimum hood distance above cooktop must not be less than 26" for an electric cooking surface and no less than 28"* for a gas cooking surface.

* Distances over 30" are at the installer's and users' discretion, providing that ceiling height permits.



ELECTRICAL INSTALLATION REQUIREMENTS

WARNING

THIS RANGE HOOD MUST BE PROPERLY GROUNDED. TURN OFF ELECTRICAL POWER AT SERVICE ENTRANCE BEFORE WIRING. CHECK TO MAKE SURE THAT THE ELECTRIC CORD IS NOT IN CONTACT WITH THE SHARP EDGES OF THE APPLIANCE.

IMPROPER GROUNDING CAN RESULT IN A RISK OF ELECTRIC SHOCK. CONSULT A QUALIFIED ELECTRICIAN IF THE GROUNDING INSTRUCTIONS ARE NOT COMPLETELY UNDERSTOOD OR IF THERE IS DOUBT AS TO WHETHER THE APPLIANCE IS PROPERLY GROUNDED. DO NOT USE AN EXTENSION CORD. IF THE POWER SUPPLY CORD IS TOO SHORT, HAVE A QUALIFIED ELECTRICIAN INSTALL AN OUTLET NEAR THE APPLIANCE.

- This appliance must be **plugged into** an outlet that is properly installed and grounded. In the event **of an** electrical short circuit, grounding reduces the risk of electric shock by providing an escape wire **for the** electric current. This appliance is equipped with a cord having a grounding wire with a grounding plug.
- Position the outlet offset so that the power cord will not interfere with **the round** duct.
- Make sure this does not interfere with a **mounting area**.

LOCATION REQUIREMENTS

IMPORTANT: Observe the provisions of all applicable codes and regulations.

Refer the installation of the hood to a qualified installer. It is the installer's responsibility to respect the required separation distances.

Install the range hood away from any area exposed to drafts, such as windows, doors, and heating vents.

Observe the dimensions indicated for the opening to be cut in the cupboard. These dimensions take into account the minimum values of separation clearances. Before cutting, also refer to the instructions on the cooktop or cooker, above which you will place the hood.

The hood is factory-configured for installation with exterior discharge through the roof or wall.

Seal each opening cut in the ceiling or wall for the installation of the hood with duct tape.

WARNING

PLEASE MAKE SURE NOT TO DO DAMAGE ELECTRICAL WIRING OR OTHER NON-APPARENT EQUIPMENT WHEN CUTTING. WHEN CONSTRUCTING THE CARPENTRY, ALWAYS FOLLOW ALL APPLICABLE BUILDING CODES AND STANDARDS.

WARNING: AT LEAST TWO (2) PERSONS ARE NECESSARY TO LIFT AND POSITION THE HOOD.

WARNING: BE CAREFUL WHEN INSTALLING THE HOOD AS IT MAY HAVE SHARP EDGES. WE RECOMMEND THAT YOU WEAR PROTECTIVE GLOVES.

CAUTION: DO NOT REMOVE THE PROTECTIVE PLASTIC FILM COVERING THE HOOD AT THIS STAGE.

LOCATION PREPARATION

- It is recommended that the exhaust **system be** set up before the hood is installed.
- Before cutting, make sure that the separation distances for the fittings in the walls and/or roof are adequate.
- Before mounting the cabinet to the wall, cut the opening in the bottom of the cabinet beforehand.
 1. Disconnect the power source.
 2. Determine the method of discharge **to be** used: discharge through the wall or roof.
 3. Choose a flat surface for **the hood** assembly. Place the protective material on **this surface**.
 4. Using two or more people, lift the hood over the **covered surface**.

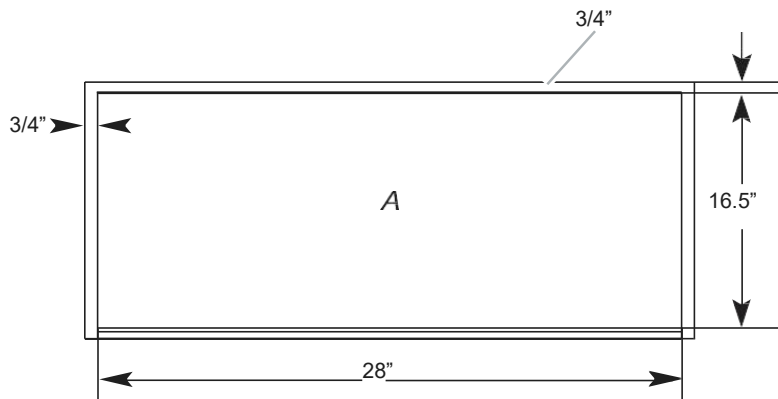
PREPARING THE CUT-OUT

1. Use a jigsaw or reciprocal saw to cut an opening in the bottom of the cabinet, inside the frame.

NOTE: For frameless cupboards, a $\frac{3}{4}$ " (1.9 cm) front and rear edge is required to form a frame in the bottom of the cabinet. A $\frac{3}{4}$ " (1.9 cm) thick support rod (not included) may be required for certain **types of** cabinets.

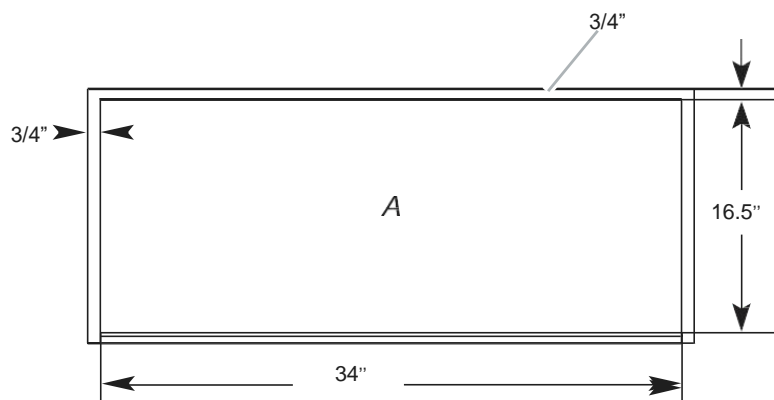
OPENING DIMENSIONS

Model CVI28-SS



A = Opening in the cupboard

Model CVI34-SS



1. Remove the decorative panel from the rangehood.
 2. Cut a hole in the bottom of the cabinet, using the dimensions shown in the table above, according to the model.
 3. Insert the hood in the cabinet and secure with the (4) mounting screws from the inner side of the range hood. Make certain that the hood is secure before releasing. **Note:** **Wood blocking** might be necessary if there is no **frame to** secure the mounting screws.
 4. Replace the decorative panel.
2. Complete the closet preparation according to the instructions for the type of home evacuation. Determine the location of the ventilation openings and cut out the openings in the cupboards, walls and / or soffits.

COMPLETING THE INSTALLATION

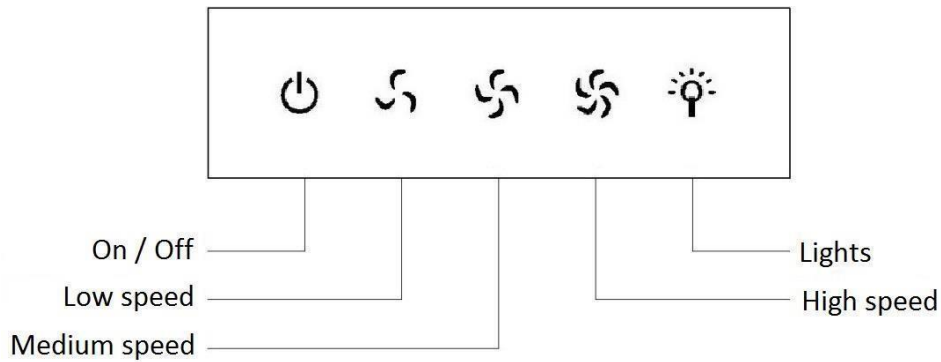
1. Re-install the filters.
2. Plug in the 3-tong plug in the properly grounded outlet that you was installed in the cupboard above the cooking surface
3. Verify the operations of the hood and the lamps. See section "OPERATING THE HOOD". If the hood does not operate, determine if a circuit breaker has opened or a home fuse **is blown**. Disconnect the power source and inspect the **wiring connections**.

NOTE: To get the most out of the new range hood, read the following section, "Operating the hood".

OPERATING THE HOOD

The range hood is designed to extract smoke, fumes and odors from the cooktop area. For best results, turn on the fan before starting cooking and let it run for several minutes after cooking is complete in order to allow cooking odors, steam or smoke to evacuate from the kitchen.

The hood controls are located on the center front of the hood body.



CONTROLS

ON / OFF BUTTON:



Press once to turn the hood on and a second time to turn it off.

SPEEDS:



Press on the icon with three blades to activate speed1 (low): boiling and low heat frying.

Press on the icon with four blades to activate speed2 (medium): intense boiling, frying and cooking with wok.

Press on the icon with five blades to activate speed 3 (high): grilling and frying and/or intense cooking with wok.

LIGHTS:



Press once to turn on the LED lights and once again to turn them off.

CAUTION: DO NOT touch the lights until switched OFF and cooled.

OPERATING THE HOOD (CONTINUED)

ACTIVATE AUTOMATIC STOP FUNCTION

Turn on the hood at any speed and press the on / off button to enter the timer mode.

The digital timer will then start counting down. After reaching zero (after about 3 minutes), the motor **will stop**.

Note: *Light settings are independent from other settings (including power-off delay) and lights must be manually turned on or off.*

Note: *The system saves user configurations, settings such as light, timer and blower speed will remain the same the next time it is turned on.*

MAINTENANCE

SAFETY WARNING: NEVER PUT YOUR HAND INTO AREA HOUSING THE FAN

For optimal operation, clean range hood, surfaces and filters regularly. Regular care will help preserve the appearance of the range hood.

CLEANING THE EXTERIOR SURFACES

Clean periodically with hot soapy water and clean cotton cloth. Do not use corrosive or abrasive detergent or steel wool pads, which will scratch and damage the stainless-steel surface. For heavier soil, use a liquid degreasing cleaner. Use a stainless-steel cleaner to clean the surface of the hood. Avoid getting cleaning solution onto or into the control panel. Follow directions of the stainless-steel cleaner.

CAUTION

USE SOFT TOWEL TO WIPE OFF THE CLEANING SOLUTION, GENTLY RUB OFF ANY STUBBORN SPOTS. USE DRY SOFT TOWEL TO DRY THE HOOD. ALWAYS SCRUB LIGHTLY WITH CLEAN COTTON CLOTH AND IN THE DIRECTION OF THE GRAIN.

DO NOT ALLOW DEPOSITS TO ACCUMULATE OR REMAIN ON THE HOOD. DO NOT USE ORDINARY STEEL WOOL OR STEEL BRUSHES. SMALL BITS OF STEEL MAY ADHERE TO THE SURFACE AND CAUSE RUSTING.

DO NOT ALLOW SALT SOLUTIONS, DISINFECTANTS, BLEACHES OR CLEANING COMPOUNDS TO REMAIN IN CONTACT WITH STAINLESS STEEL FOR EXTENDED PERIODS. MANY OF THESE COMPOUNDS CONTAIN CHEMICALS, WHICH MAY BE HARMFUL. RINSE WITH WATER AND WIPE DRY WITH A CLEAN CLOTH.

CLEANING THE GREASE FILTER

The filters are intended to filter out residue and grease from cooking and are required to be kept clean. Filters should be cleaned after every 30 hours of use (or once a month, depending on use). Remove and clean by hand in soapy water or in the dishwasher. Dry filters and re-install. If cleaning the filters in the dishwasher, use a non-phosphate detergent. The use of detergent with phosphate may cause discoloration of the filters but will not affect their performance. This discoloration is not covered by the warranty.

REPLACING THE FILTERS

If filters wear out due to prolonged use, please contact your service/parts provider for replacement filters.

NOTE: ALSO REPLACE DAMAGED FILTER THAT IS BENT, HAS PUNCTURED OR BROKEN MESH OR BROKEN FRAME.

CLEANING THE **STAINLESS-STEEL SURFACE**

Regularly wash surface with dry cloth or clean cloth soaked in warm water and mild soap or liquid dish detergent. Always clean following the grain. Always rinse thoroughly with clear water (2-3 times) and wipe dry completely. Specially designed stainless-steel cleaners can also **be used**.

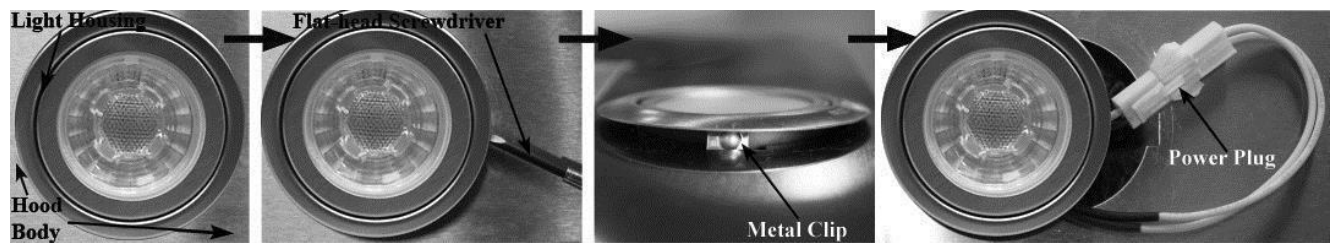
MAINTENANCE (continued)

REPLACING THE LED LIGHT BULBS

CAUTION: LED lamps can only be replaced with a new LED lamp. The lamp rating must be equal to the one already used. Make sure all the control switches are off and the hood is unplugged, or the breaker is OFF.

Replacing the LED light fixture:

- This range hood uses LED light fixture: 3W Max 12VLED
- Make sure the range hood is unplugged or turn OFF breaker and make sure the lights are cool to touch.
- Place a flat-head screwdriver between light housing and hood body, gently pry up the **light housing** and search for the metal clip.
- Apply force to the metal clip and pull out the light fixture. Disconnect the power cable and discard the old light fixture.
- Reverse the steps to install a new LED light fixture. Turn ON breaker and range hood to test for operation.



SERVICE AND WARRANTY

LIMITED WARRANTY

This warranty applies only to the original purchaser and may not be transferred. This warranty is applicable within Canada only, to hoods installed for normal, non-commercial use in PRIVATE SINGLE-FAMILY HOUSEHOLDS.

Caloric™ warrants this product to be free from defects in material or workmanship for a period of ONE YEAR from the date of original purchase. During the warranty period, Caloric™ will, at its option, repair or replace, without charges, any product or part which is found to be defective under normal use and service. This warranty covers parts and labour from a Caloric™ authorized company, up to a maximum of one (1) hour. Proof of payment to the service company is required.

THERE ARE NO OTHER WARRANTIES, EXPRESS OR IMPLIED, INCLUDING BUT NOT LIMITED TO, IMPLIED WARRANTIES OR MERCHANT ABILITY OR FITNESS FOR A PARTICULAR PURPOSE.

Proof of purchase/original invoice and serial number is required for warranty claims. Keep a photocopy easily accessible.

This warranty will be void if the serial plate has been removed or disfigured.

EXCLUSIONS – This Caloric™ warranty does not cover: • Aluminum or SS baffle filters, lights or glass canopies, blower wheel damage • Regular maintenance and service (except by an authorized Caloric™ repair center) • Damage resulting from accident, alteration, misuse, abuse, fire, flood, acts of God, improper installation, installation not in accordance with electrical codes, or use of consumables or cleaning products not approved by Caloric™ • Repair of an appliance used in other than a normal, single-family household, or in a manner that is contrary to the operation or installation instructions. • Cosmetics damage or freight damage caused by a 3rd party freight company. • Service to product that is not easily accessible due to unusual, exceptional, or difficult installation • Service calls to instruct how to use the appliance • Expenses for travel and transportation if your appliance is in a remote area where service by an authorized Caloric™ servicer is not available.

The cost of repair or replacement under these exclusions shall be borne by the customer and agreed to before a servicer is dispatched.

Caloric™ SHALL NOT BE LIABLE FOR INCIDENTAL, CONSEQUENTIAL OR SPECIAL DAMAGES ARISING OUT OF OR IN CONNECTION WITH PRODUCT USE OR PERFORMANCE.

**For a Caloric™ authorized repair center please contact us at:
1-844-455-3474 ext. 2 or service@caloricappliances.ca**

We do the utmost to ensure that the provided information is complete and accurate, however, images and specifications are subject to change without notice. Visit our website at www.caloricappliances.ca for the latest version of this manual.



In Canada CALORIC™ is a registered trademark of J.A.K. North America Inc.

Table des matières

IMPOPTANTES MESURES DE SÉCURITÉ.....	17-18
INSTRUCTIONS D'INSTALLATION.....	19-25
MODE D'EMPLOI	26
ENTRETIEN	27
SERVICE ET GARANTIE	29

**APPROUVÉ POUR LES APPAREILS À UTILISATION RÉSIDENIELLE SEULEMENT. LISEZ
CES INSTRUCTIONS ET CONSERVEZ-LES**

**VEUILLEZ LIRE CES INSTRUCTIONS AU COMPLET AVANT DE COMMENCER.
L'INSTALLATION DE L'APPAREIL DOIT RESPECTER TOUS LES CODES EN VIGUEUR.**

IMPORTANT: Conservez ces instructions afin de pouvoir les remettre à l'inspecteur-électricien de votre région.

INSTALLATEUR: Veuillez laisser ces instructions avec l'appareil pour le propriétaire.

PROPRIÉTAIRE: Veuillez conserver ces instructions pour pouvoir vous y référer plus tard.

AVERTISSEMENT DE SÉCURITÉ: Coupez l'alimentation du circuit dans le panneau électrique et verrouillez le panneau avant de raccorder les fils de cet appareil.

Exigence: 120V c.a., 60Hz circuit de dérivation de 15V c.a., 20Hz, de 15 ou 20A.

IMPORTANTES MESURES DE SÉCURITÉ

AVERTISSEMENT

Pour usage domestique seulement. Ne pas utiliser pour évacuer des vapeurs ou des matières dangereuses ou explosives.

ATTENTION

Cette hotte peut avoir des bords très tranchants; veuillez porter des gants de protection lors de l'installation, du nettoyage ou de l'entretien de l'appareil.

Cet appareil doit être installé par un technicien qualifié. Le fabricant décline toute responsabilité en cas de défaut de se conformer aux normes de sécurité. Installez cette hotte en respectant toutes les exigences spécifiées.

AVERTISSEMENT

Afin de réduire les risques d'incendie, d'électrocution ou de blessures corporelles, suivez les directives suivantes :

- N'utilisez cet appareil que de la façon prévue par le fabricant. Si vous avez des questions, contactez le fabricant à l'adresse ou au numéro de téléphone indiqué dans la garantie.
- Avant de réparer ou de nettoyer l'appareil, coupez l'alimentation électrique en verrouillant le panneau électrique afin d'éviter sa remise en marche accidentelle. Si le panneau électrique ne peut pas être verrouillé, fixez-y un avertissement bien en évidence telle qu'une étiquette de couleur vive.
- Les travaux d'installation et de raccordement électriques doivent être effectués par une personne qualifiée, conformément aux codes et aux standards de construction, incluant ceux concernant la protection contre les incendies.
- Une quantité d'air adéquate est requise afin d'assurer une bonne combustion et l'évacuation des gaz par la cheminée (dans le cas des équipements alimentés au gaz) afin de prévenir les retours de cheminée.
- Conformez-vous aux instructions et aux standards de sécurité des fabricants d'équipement de chauffage ainsi que les codes et standards locaux.
- Veillez à ne pas endommager le câblage électrique ou d'autres équipements non apparents lors de la découpe ou du perçage du mur ou du plafond.
- Les ventilateurs avec conduits doivent toujours évacuer l'air vers l'extérieur.
- Ne faites pas de modifications au câblage d'origine.
- N'essayez pas de réparer ou de remplacer quelque partie que ce soit de votre hotte, sauf s'il est spécifiquement recommandé dans ce manuel.
- Toutes les autres réparations devraient être effectuées par un technicien qualifié.

AVERTISSEMENT

Afin de réduire les risques d'incendie, assurez-vous d'évacuer l'air vers l'extérieur. Ne pas évacuer l'air dans des espaces restreints comme l'intérieur des murs, du plafond, le grenier, faux plafond ou garage.

Dispositif automatique - pour réduire les risques de blessures, débranchez l'appareil avant d'effectuer l'entretien.

AVERTISSEMENT :

AFIN DE RÉDUIRE LES RISQUES D'INCENDIE, N'UTILISEZ QUE DES CONDUITS DE MÉTAL.

AVERTISSEMENT : AFIN DE RÉDUIRE LES RISQUES DE FEU DE CUISINIÈRE :

- Toujours mettre la hotte en marche lorsque vous cuisinez.
- Ne jamais laisser les appareils de cuisson sans surveillance lorsqu'ils sont réglés à feu vif. Les débordements engendrent de la fumée et des déversements graisseux qui pouvant s'enflammer. Chauffez l'huile lentement, à feu doux ou moyen.
- Il est essentiel d'avoir la hotte en marche lorsque vous cuisinez à feu vif ou que vous cuisinez des mets flambés (par ex. : Crêpes Suzette, Cerises jubilé, Steaks au poivre flambés, etc.).
- Nettoyez régulièrement les palmes des roues du ventilateur. Ne pas laisser la graisse s'accumuler sur le ventilateur, les filtres ou les conduits d'évacuation.
- Utilisez le bon format de casserole. Servez-vous toujours de casseroles et d'ustensiles appropriés à la dimension de la surface chauffante.

AVERTISSEMENT: AFIN D'ÉVITER TOUT RISQUE DE BLESSURES LORS D'UN FEU DE CUISINIÈRE, SUIVEZ CES DIRECTIVES :

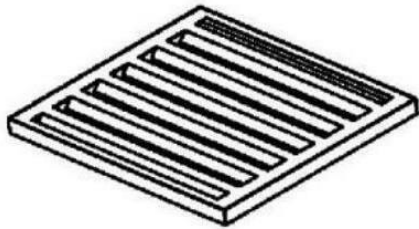
- Étouffez les flammes avec un couvercle hermétique, une tôle à biscuits ou un plateau métallique et ensuite éteindre le brûleur.
- Si les flammes ne s'éteignent pas immédiatement, **ÉVACUEZ LES LIEUX ET APPELEZ LES POMPIERS.**
- Ne prenez jamais une casserole en flamme dans vos mains. Vous pourriez-vous brûler.
- **N'UTILISEZ PAS D'EAU**, y compris un linge à vaisselle ou une serviette mouillée car cela pourrait occasionner une violente explosion de vapeur.
- N'utilisez un extincteur **QUE DANS LE CAS OÙ**:
 - a) Vous savez qu'il s'agit d'un extincteur de classe ABC et que vous en connaissez le fonctionnement.
 - b) L'incendie est petit et limité à l'endroit où il a débuté.
 - c) Les pompiers ont été avisés.
 - d) Vous pouvez combattre l'incendie en ayant accès à une sortie de secours.

INSTRUCTIONS D'INSTALLATION

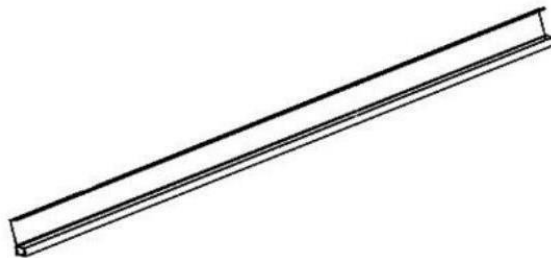
OUTILS NÉCESSAIRES POUR INSTALLER LA HOTTE

- Gants et lunettes de protection
- Perceuse électrique
- Tournevis Phillips (tête étoilée)
- Tournevis à tête plate
- Marteau
- Clé à molette
- Pincès à bec
- Ciseaux (pour couper du ruban pour conduit)
- Ruban pour conduit
- Marqueur ou crayon
- Niveau
- Ruban à mesurer

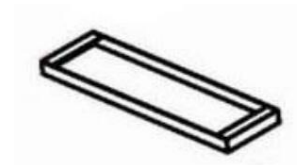
PIÈCES INCLUSES



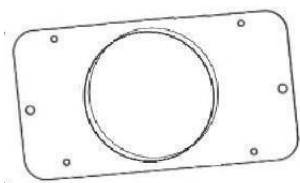
Filtres



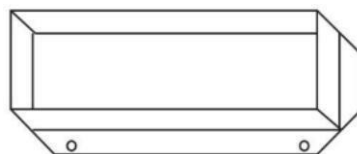
Accumulateur de gras



Séparateur de filtres



Adaptateur/clapet 6"
(Pour évacuation verticale)

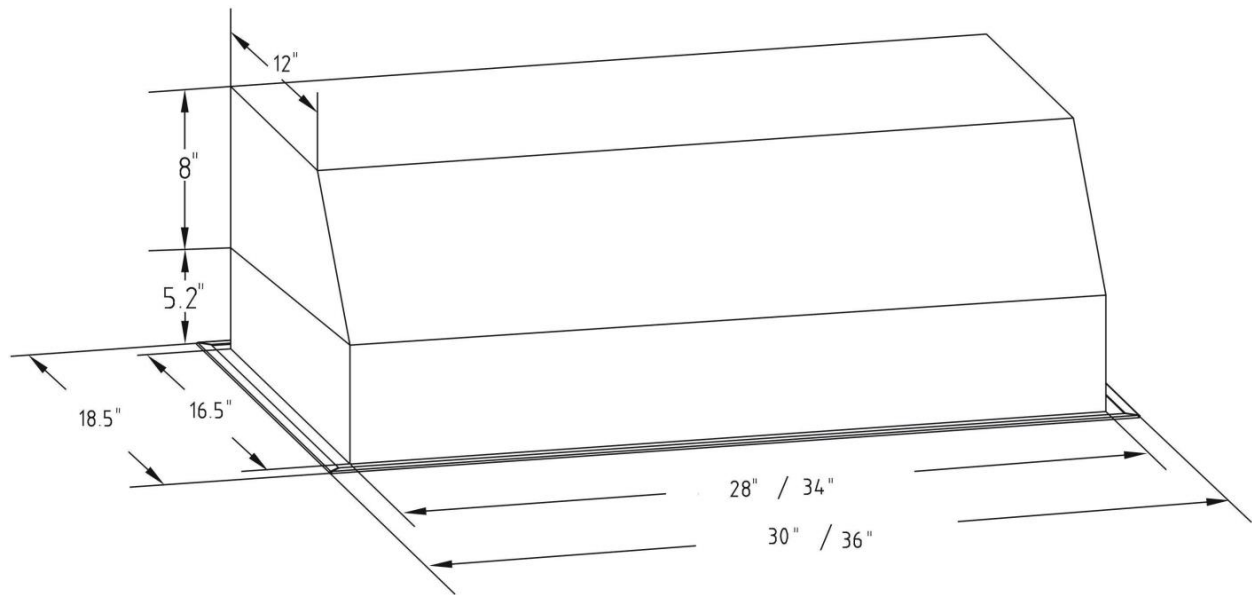


Adaptateur/clapet 10" X3.25"
(Pour évacuation horizontale)



Qté: 10 pcs

DIMENSIONS



Les renseignements que cette fiche contient sont fondés sur des sources que nous croyons fiables, mais nous ne pouvons les garantir et ils peuvent par ailleurs être incomplets et/ou changés sans préavis.

AVANT D'INSTALLER LA HOTTE

- Pour un échappement d'air plus efficace, nous recommandons une installation le plus rectiligne possible et d'utiliser aussi peu de coudes que possible.
- Évacuez l'air vers l'extérieur seulement. Ne pas évacuer l'air dans des espaces restreints comme l'intérieur des murs, plafond, grenier, faux plafond ou garage.
- À cause du poids et de la dimension de la hotte, deux ou plusieurs personnes sont nécessaires pour déplacer et installer la hotte de façon sécuritaire.
- Retirez la hotte de son emballage et la déposer sur une surface plane pour l'assemblage.

INSTRUCTIONS D'INSTALLATION (SUITE)

AVERTISSEMENT: CET APPAREIL DOIT ÊTRE CORRECTEMENT MIS À LA TERRE.

- Cette hotte doit être branchée dans une prise de courant à 3 brins, 120V 60Hz, correctement installée et mise à la terre.
- Si l'alimentation électrique ne répond pas aux exigences, consultez un électricien avant de continuer.
- Le câblage électrique doit être le plus près possible de l'emplacement d'installation et ce, dans le plafond ou le mur arrière.
- La hotte doit être raccordée au câblage électrique de la maison conformément aux normes et codes locaux.

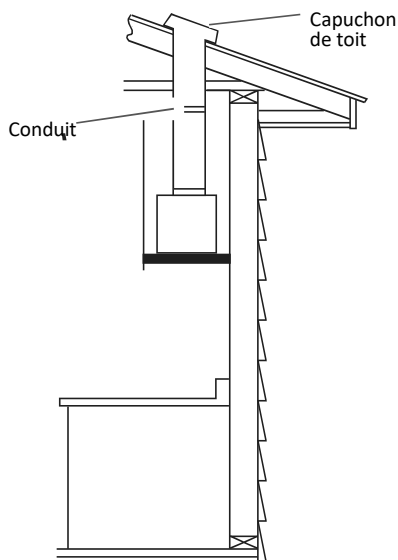
MUR ENCADRANT UN APPUI SUFFISANT

CETTE HOTTE EST LOURDE. UNE STRUCTURE ET UN SUPPORT ADÉQUATS DOIVENT ÊTRE PRÉVUS POUR TOUS LES TYPES D'INSTALLATION. LA HOTTE DOIT ÊTRE SÉCURISÉE PAR UN SUPPORT HORIZONTAL.

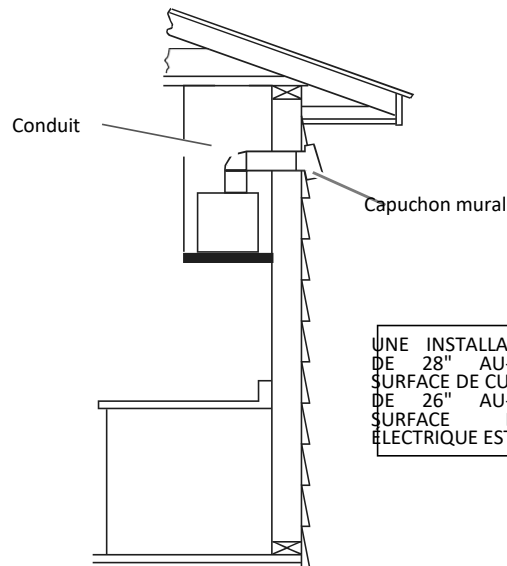
PRÉPARATION

- Pour une évacuation vers l'extérieur seulement.
- Pour usage domestique seulement. Ne pas utiliser pour évacuer des vapeurs ou des matières dangereuses ou explosives.
- Déterminez l'emplacement exact de la hotte. Marquez l'emplacement. Trouvez l'axe central en ligne avec la surface de cuisson. Utilisez un niveau pour tracer une ligne droite verticale sur le mur.

Option 1 :



Option 2 :



UNE INSTALLATION MINIMUM DE 28" AU-DESSUS D'UNE SURFACE DE CUISSON AU GAZ ET DE 26" AU-DESSUS D'UNE SURFACE DE CUISSON ÉLECTRIQUE EST REQUISE.

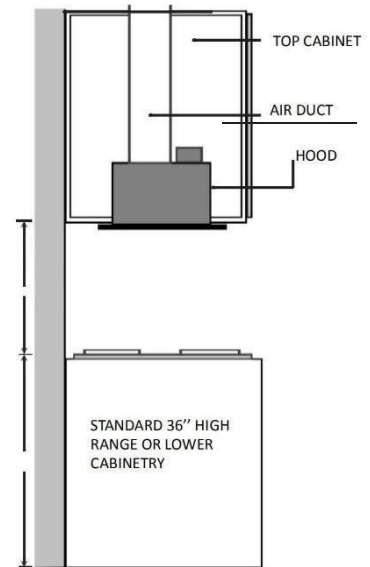
- Planifiez le circuit d'évacuation vers l'extérieur. Planifiez le parcours le plus court et le plus rectiligne possible et utilisez aussi peu de coudes que possible. Trop de coudes et de transitions réduiront la performance de la hotte. Des conduits plus grands peuvent être nécessaires lors d'une canalisation plus longue.
- Installez un capuchon de toit ou de mur. Reliez le conduit de métal au capuchon, puis acheminez le conduit jusqu'à l'emplacement de la hotte. Scellez les joints avec du ruban adhésif de métal de 2 pouces de largeur.

INSTRUCTIONS D'INSTALLATION (SUITE)

SCHÉMA D'INSTALLATION

- La distance minimale de la hotte au-dessus de la surface de cuisson ne doit pas être inférieure à 28" pour une surface au gaz et de 26" pour une surface électrique.
- Une distance de plus de 30" est à la discrétion Del 'installateur* et de l'utilisateur, à condition que la hauteur du plafond le permette.

* Une installation à plus de 30" risque d'engendrer une performance atténuée.



INSTALLATION ÉLECTRIQUE

AVERTISSEMENT

LE RACCORDEMENT ÉLECTRIQUE DOIT ÊTRE EFFECTUÉ PAR DU PERSONNEL QUALIFIÉ EN RESPECTANT LES NORMES ET RÈGLEMENTS EN VIGUEUR. CET APPAREIL DOIT ÊTRE RELIÉ À UNE MISE À LA TERRE. AVANT D'EFFECTUER LE BRANCHEMENT, COUPEZ L'ALIMENTATION ÉLECTRIQUE DEPUIS LE TABLEAU DE DISTRIBUTION PRINCIPAL.

UN MAUVAIS BRANCHEMENT PEUT ENTRAÎNER UN RISQUE D'ÉLECTROCUTION. CONSULTEZ UN ÉLECTRICIEN SI LES INSTRUCTIONS DE MISE À LA TERRE NE SONT PAS TOUT À FAIT COMPRISSES OU SI UN DOUTE PERSISTE QUANT À SAVOIR SI L'APPAREIL EST CORRECTEMENT RELIÉ À LA TERRE. NE PAS UTILISER DE RALLONGE ÉLECTRIQUE. SI LE CORDON D'ALIMENTATION EST TROP COURT, DEMANDEZ À UN ÉLECTRICIEN D'INSTALLER UNE PRISE DE COURANT PRÈS DE L'APPAREIL.

- Cet appareil doit être relié à une prise correctement installée et mise à la terre. En cas de court-circuit électrique, la mise à la terre réduit le risque d'électrocution en fournissant un câble d'évacuation pour le courant. Cet appareil est muni d'un cordon équipé d'un câble de mise à la terre avec fiche de mise à la terre.
- S'assurer qu'elle n'interfère pas avec l'emplacement de fixation d'un support de montage.
- La prise à 3 brins doit se trouver dans un placard situé au-dessus de la hotte, à une distance maximale de 29 1/2" (75 cm) à partir du point duquel le cordon d'alimentation sort de la hotte. La prise à 3 brins doit être accessible une fois la hotte installée. Voir l'illustration ci-dessous.

INSTRUCTIONS D'INSTALLATION (SUITE)

EXIGENCES D'EMPLACEMENT

IMPORTANT : Observez les dispositions de tous les codes et règlements en vigueur.

Confiez l'installation de la hotte à un installateur qualifié. C'est à l'installateur qu'incombe la responsabilité de respecter les distances de séparation exigées. Installez la hotte de cuisinière à distance de toute zone exposée à des courants d'air, comme les fenêtres, portes et bouches de chauffage.

Respectez les dimensions indiquées pour les ouvertures à découper dans les placards. Ces dimensions tiennent compte des valeurs minimales des dégagements de séparation. Avant d'effectuer des découpages, consultez aussi les instructions de la table de cuisson ou de la cuisinière, au-dessus de laquelle vous placerez la hotte.

La hotte est configurée en usine pour une installation avec décharge vers l'extérieur à travers le toit ou le mur.

Vérifiez l'étanchéité au niveau de chaque ouverture découpée dans le plafond ou le mur pour l'installation de la hotte.

AVERTISSEMENT

VEILLEZ À NE PAS ENDOMMAGER LE CÂBLAGE ÉLECTRIQUE OU D'AUTRES ÉQUIPEMENTS NON APPARENTS LORS DE LA DÉCOUPE. LORS DE LA CONSTRUCTION DE LA CHARPENTE, TOUJOURS SUIVRE LES CODES ET STANDARDS DE CONSTRUCTION EN VIGUEUR.

AVERTISSEMENT : Au moins deux (2) personnes sont nécessaires pour soulever et positionner la hotte.

AVERTISSEMENT

SOYEZ PRUDENTS LORS DE L'INSTALLATION DE LA HOTTE, IL POURRAIT Y AVOIR DES ARÊTES VIVES. NOUS VOUS SUGGÉRONS DE PORTER DES GANTS DE PROTECTION.

ATTENTION

À CE STADE-CI, NE PAS RETIRER LE FILM PROTECTEUR RECOUVRANT LA HOTTE.

PRÉPARATION DE L'EMPLACEMENT

- Il est recommandé que l'installation du circuit d'évacuation soit réalisée avant celle de la hotte.
 - Avant de procéder aux découpages, vérifiez que les distances de séparation pour les raccords dans les cavités du plafond ou du mur sont adéquates.
 - Avant de monter le placard au mur, il sera peut-être plus facile de découper au préalable l'ouverture dans le fond du placard.
1. Déconnectez la source de courant électrique.
 2. Déterminez la méthode d'évacuation à utiliser: décharge à travers le mur ou le toit.
 3. Choisissez une surface plane pour l'assemblage de la hotte. Déposez un matériel de protection sur cette surface.
 4. À l'aide de deux personnes ou plus, soulevez la hotte et la poser sur la surface couverte.

INSTRUCTIONS D'INSTALLATION (SUITE)

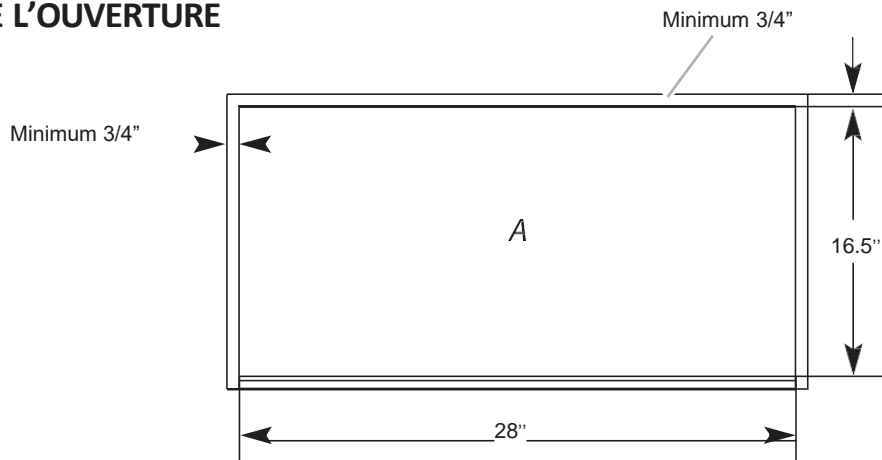
OUVERTURE DÉCOUPÉE DU PLACARD POUR LA HOTTE

- Utilisez une scie sauteuse ou scie à guichet pour découper une ouverture dans le fond du placard, à l'intérieur du cadre du placard.

REMARQUE : Pour les placards sans cadres, un rebord avant et arrière de $\frac{3}{4}$ " (1,9 cm) est nécessaire pour former un cadre dans le fond du placard. Une tringle d'appui de $\frac{3}{4}$ " (1,9 cm) d'épaisseur (non fournie) sera peut-être nécessaire pour certains types de placards.

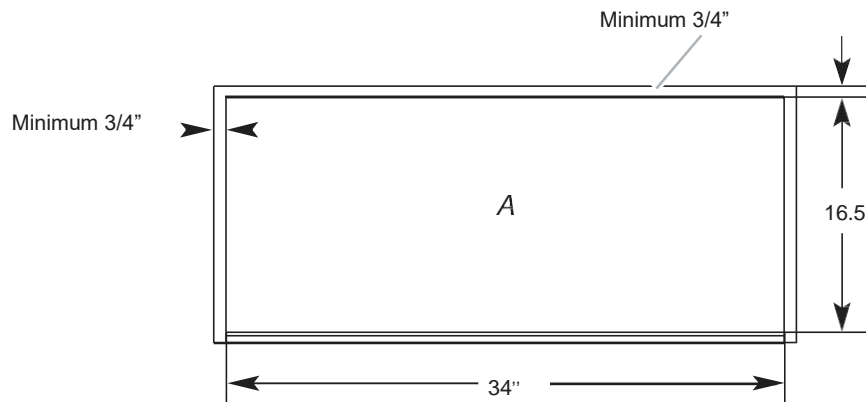
DIMENSIONS DE L'OUVERTURE

Modèle CVI28-SS



A = Ouverture dans le fond du placard

Modèle CVI34-SS



- Retirez le panneau décoratif de la hotte.
- Découpez un trou dans le fond de l'armoire, en utilisant les dimensions indiquées dans le diagramme en page 10 selon le modèle.
- Insérez la hotte dans l'armoire et fixez-la à l'aide de quatre vis de fixation du côté intérieur de la hotte. Assurez-vous que la hotte est bien sécurisée avant de relâcher.
Remarque : Un montant de bois peut être nécessaire s'il n'est pas disponible pour fixer les vis de montage.
- Réinstallez le panneau décoratif.

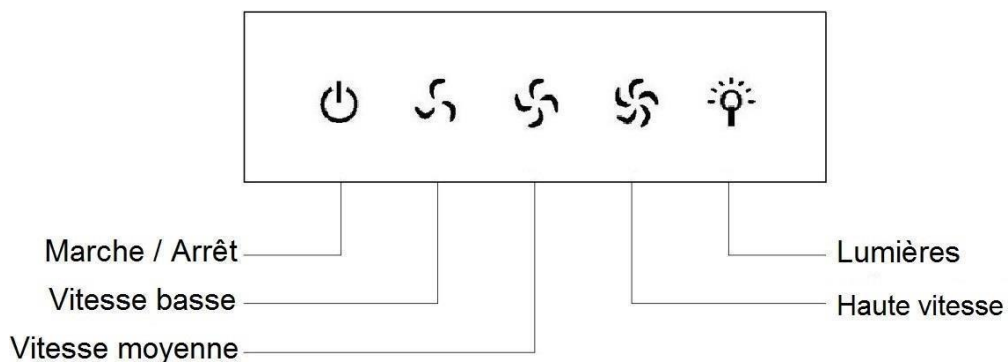
INSTRUCTIONS D'INSTALLATION (SUITE)

3. Terminez la préparation du placard conformément aux instructions ci-dessous et correspondant au type d'évacuation du domicile. Déterminez l'emplacement des ouvertures d'aération et découpez les ouvertures dans les placards, les murs et/ou les soffites.

ACHEVER L'INSTALLATION

1. Installez les filtres à graisse.
2. Branchez le cordon d'alimentation à 3 brins dans la prise à 3 alvéoles reliée à la terre située dans le placard qui se trouve au-dessus de la hotte.
3. Contrôlez le fonctionnement du ventilateur de la hotte et de la lampe. Voir la section "MODE D'EMPLOI". Si la hotte ne fonctionne pas, déterminez si un disjoncteur s'est ouvert ou si un fusible est grillé. Déconnectez la source de courant électrique et inspectez-les connexions du câblage.

MODE D'EMPLOI (SUITE)



CONTRÔLES

BOUTON DE MISE EN MARCHE/ARRÊT :



Appuyez une fois pour mettre l'appareil en marche et une seconde fois pour l'arrêter.

VITESSES :



Appuyez sur l'icône à trois pales pour activer la vitesse 1 (basse): ébullition et friture à feu doux.

Appuyez sur l'icône à quatre pales pour activer la vitesse 2 (moyenne): ébullition intense, friture et cuisson au wok.

Appuyez sur l'icône à cinq pales pour activer la vitesse 3 (haute): grillade et friture et/ou cuisson intense au wok.


LUMIÈRES :



Appuyez une fois pour allumer les lumières LED et une seconde fois pour les éteindre.

ATTENTION : NE PAS toucher les lumières jusqu'à ce qu'elles soient éteintes et refroidies.

ACTIVER LA FONCTION D'ARRÊT AUTOMATIQUE

Allumez la hotte à n'importe quelle vitesse puis appuyez sur le bouton de marche/arrêt  afin d'entrer en mode minuterie.

La minuterie numérique commencera alors le compte à rebours. Une fois avoir atteint zéro (environ 3 minutes plus tard), le moteur cessera de fonctionner.

ENTRETIEN

AVERTISSEMENT

NE JAMAIS METTRE VOTRE MAIN DANS L'AIRE ABRITANT LE VENTILATEUR. POUR UN FONCTIONNEMENT OPTIMAL, NETTOYEZ LA HOTTE DE CUISINIÈRE, SURFACES ET FILTRES RÉGULIÈREMENT.

Un entretien régulier aidera à préserver l'apparence de la hotte. Nettoyez les surfaces extérieures périodiquement avec de l'eau tiède savonneuse et un chiffon de coton. N'utilisez pas de détergents corrosifs ni abrasifs car ceux-ci pourraient endommager la surface en acier inoxydable. Pour les dépôts de saleté ou de graisse plus importants, utilisez un liquide dégraissant. Pour nettoyer la surface de la hotte, utilisez un nettoyeur pour acier inoxydable. Évitez tout produit de nettoyage sur ou dans le panneau de contrôle.

ATTENTION : Utilisez un chiffon doux pour essuyer la solution nettoyante. Frottez légèrement toutes les taches tenaces. Toujours frotter légèrement avec un chiffon de coton et dans le sens du grain. Ne laissez pas de dépôts s'accumuler sur la hotte, ils pourraient adhérer à la surface et la faire rouiller. Ne pas utiliser de laine d'acier ou encore de brosses en acier car cela égratignera la surface.

Ne pas laisser de solutions salines, de désinfectants ou d'agents de blanchiment en contact avec l'acier inoxydable. Plusieurs de ces composés contiennent des produits chimiques qui peuvent être dangereux. Dans le cas échéant, rincez à l'eau après l'exposition et essuyez avec un chiffon propre.

NETTOYER LES FILTRES

Les filtres à graisses doivent être nettoyés une fois par mois. Pour les retirer, poussez sur le loquet de métal et désengagez-le de la hotte. Basculez le filtre vers le bas, puis le retirer. Pour le nettoyage des filtres, utilisez une solution d'eau chaude additionnée de détergent doux. Laissez-les sécher puis réinstallez-les. Les filtres sont également lavables au lave-vaisselle. Si vous nettoyez les filtres au lave-vaisselle, utilisez un détergent sans phosphate. L'utilisation d'un détergent avec phosphate pourrait entraîner une décoloration des filtres mais sans toutefois affecter leur performance. Cette décoloration n'est pas couverte par la garantie.

REPLACEMENT DES FILTRES

Si les filtres sont endommagés en raison d'une utilisation prolongée, veuillez contacter votre fournisseur de pièces pour obtenir des filtres de remplacement. **NOTE:** Remplacez aussi les filtres percés ou tordus.

NETTOYAGE DE L'ACIER INOXYDABLE

Lavez régulièrement les surfaces à l'aide d'un chiffon ou linge propre imbibé d'eau tiède et de savon doux ou de détergent liquide à vaisselle. Toujours nettoyer dans le sens du polissage. Toujours bien rincer avec de l'eau claire (2 à 3 fois) et essuyez complètement. Un nettoyeur domestique conçu spécialement pour l'acier inoxydable peut aussi être utilisé.

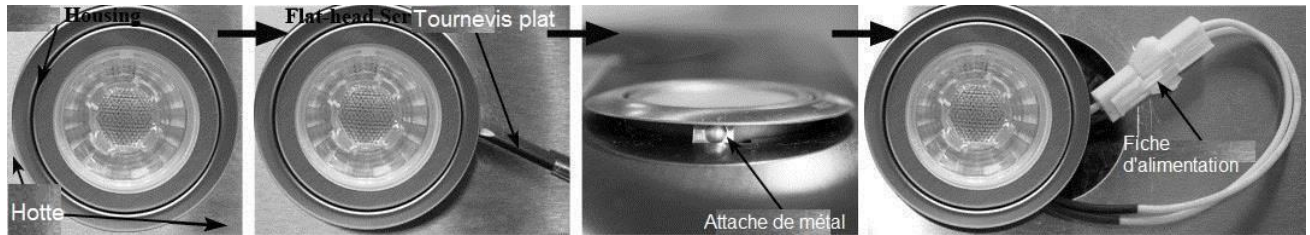
REPLACER LES LUMIÈRES DEL

ATTENTION: Les lampes DEL ne peuvent être remplacées que par de nouvelles lampes DEL. La puissance de la lampe doit être égale à celle déjà utilisée. Assurez-vous que tous les interrupteurs de commande sont éteints et que la hotte est débranchée ou que le disjoncteur est hors tension.

Remplacement de l'appareil d'éclairage au DEL:

- Cette hotte utilise un luminaire au LED: 3W Max 12VDEL
- Assurez-vous que la hotte est débranchée ou éteignez le disjoncteur et que les lumières sont froides au toucher.

- Placez un tournevis à tête plate entre le boîtier de la lampe et le corps de la hotte, soulevez délicatement le boîtier de la lampe et recherchez le clip métallique.
- Appliquez une force sur le clip métallique et retirez le luminaire. Débranchez le câble d'alimentation et jetez l'ancien luminaire.
- Inversez les étapes pour installer un nouveau luminaire au DEL. Allumez le disjoncteur et la hotte de cuisinière pour tester le fonctionnement.



SERVICE ET GARANTIE

Nous garantissons notre hotte contre tout défaut de fabrication, tant au niveau des matières premières que de la main-d'œuvre, pour une période d'un (1) an à partir de la date d'achat originale.

Cette garantie limitée ne s'applique pas en cas d'une mauvaise installation, de mauvaise utilisation, de négligence, d'incendie ou autres causes extérieures, d'altérations, réparation non conforme ou encore d'un usage commercial.

Pour contacter notre département de service :

Lundi au vendredi de 8h 30 à 16h 30 (heure de l'est) :

SERVICE

Tel: 1-884-445-3474 Ext.2

Site internet / courriel: www.service@caloricappliances.ca

GARANTIE LIMITÉE

Cette garantie s'applique uniquement à l'acheteur d'origine et ne peut être transférée. Cette garantie s'applique au Canada seulement, aux hottes installées pour une utilisation normale et non commerciale dans les MÉNAGES PRIVÉS UNIFAMILIAUX.

Caloric™ garantit que ce produit est exempt de tout défaut de matériau ou de fabrication pendant une période d'un an à compter de la date d'achat d'origine. Pendant la période de garantie, Caloric™ réparera ou remplacera, à sa discrétion, sans frais, tout produit ou pièce défectueux dans des conditions normales d'utilisation et de service. Cette garantie couvre les pièces et la main-d'œuvre d'une entreprise agréée Caloric™, jusqu'à un maximum d'une (1) heure. Une preuve de paiement à la société de services est requise.

IL N'Y A AUCUNE AUTRE GARANTIE, EXPRESSE OU IMPLICITE, Y COMPRIS, MAIS SANS S'Y LIMITER, LES GARANTIES IMPLICITES OU LA CAPACITÉ OU L'ADÉQUATION DES MARCHANDS À UN USAGE PARTICULIER.

Une preuve d'achat / facture originale et numéro de série est requis pour les réclamations sous garantie. Gardez une photocopie facilement accessible.

Cette garantie sera nulle si la plaque signalétique a été retirée ou défigurée.

EXCLUSIONS - Cette garantie Caloric™ ne couvre pas: • Les filtres à chicane en aluminium ou en acier inoxydable, les lumières ou les auvents en verre, les dommages de la roue de soufflante • Entretien et service réguliers (sauf par un centre de réparation agréé Caloric™) abus, incendie, inondation, catastrophe naturelle, inapproprié installation, installation non conforme aux codes électriques, ou utilisation de consommables ou de produits de nettoyage non approuvés par Caloric™ • Réparation d'un appareil utilisé dans un autre usage qu'un ménage unifamilial normal, ou d'une manière contraire au fonctionnement ou instructions d'installation. • Dommages cosmétiques ou des dommages de transport causés par une société de transport tierce. • Service à un produit qui n'est pas facilement accessible en raison d'une installation inhabituelle, exceptionnelle ou difficile • Appels de service pour savoir comment utiliser l'appareil • Frais de voyage et de transport si votre appareil se trouve dans une région éloignée où l'entretien par un réparateur Caloric™ agréé n'est pas disponible. Les frais de réparation ou de remplacement dans le cadre de ces exclusions sont à la charge du client et acceptés avant l'envoi d'un réparateur.

Caloric™ NE SERA PAS RESPONSABLE DES DOMMAGES ACCESSOIRES, CONSÉCUTIFS OU SPÉCIAUX SURVENANT HORS OD OU EN LIEN AVEC L'UTILISATION OU LA PERFORMANCE DU PRODUIT. Pour un centre de réparation agréé Caloric™, veuillez nous contacter au: 1-844-455-3474 ext. 2 ou www.service@caloricappliances.ca

Nous faisons tout notre possible pour nous assurer que les informations fournies sont complètes et exactes, cependant, les images et les spécifications peuvent être modifiées sans préavis. Visitez notre site Web à www.caloricappliances.ca pour la dernière version de ce manuel.



Au Canada, CALORIC™ est une marque déposée de J.A.K. Amérique du Nord Inc.